

**GOMSUN**

**SMART  
SEGREGATION,  
SAFE  
DISPOSAL**



**Sustainable.  
Reliable.  
Durable.**

Your Partner in Safe Biomedical Waste Management



WWW.GOMSUN.COM

# PEDAL WASTE BINS

**GOMSUN**

## PREMIUM SERIES 22 / 45 / 60 Ltr.

This biomedical waste bin is crafted from 100% virgin PP/HDPE using a single-piece injection molding process for strength and durability. Its reinforced base ensures stability under heavy loads, while the wide foot pedal enables hands-free operation, reducing contamination risks. Smooth inner walls prevent waste buildup and allow quick, hygienic cleaning. With a stackable design, it supports space-efficient storage and easy transport. Engineered for safe, hygienic, and eco-friendly biomedical waste disposal, it is ideal for hospitals, laboratories, and healthcare facilities.



### KEY FEATURES



**Made of 100% PP / CP**



**One-time injection molded body**



**Withstands temperature variations**



**Wide foot pedal operation**



**Smooth lid & inner walls for easy cleaning**



**Reinforced base for stability**

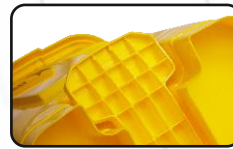


**Stackable, space saving design**



**Thickened body for durability**

### DESIGN HIGHLIGHTS



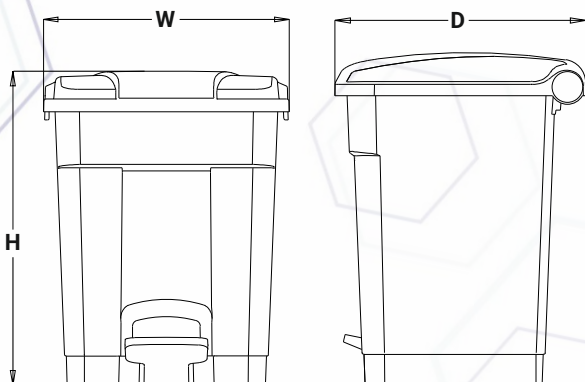
**Non-Slip Bottom:** Textured base for grip and stability.



**6 Pin Mechanism:** Provides smooth & reliable pedal action.



**Handrail Design:** Easy to grip for safe handling.



### AVAILABLE SIZES

Model No.	Capacity	Dimension	Material
GSPP - 22	23 Ltr.	D 325 W 337 H 430	PPCP / HDPE
GSPP - 45	45 Ltr.	D 400 W 403 H 575	PPCP / HDPE
GSPP - 60	65 Ltr.	D 427 W 440 H 690	PPCP / HDPE



# PEDAL WASTE BINS

**GOMSUN**

## SUPER SERIES 12 / 16 / 32 Ltr.

This waste bin is made from 100% PP/HDPE using a one-time injection molding process for durability and seamless finish. Its reinforced base ensures stability, while the broad foot pedal enables hands-free use, reducing contamination risks. The smooth inner walls resist buildup, making cleaning efficient. With a stackable design, the bin allows space-saving storage and easy transport. Designed for safe, hygienic, eco-friendly biomedical waste handling, it is ideal for hospitals, diagnostic centers, laboratories, and healthcare facilities.



### KEY FEATURES



**Made of 100% PP / CP**



**One-time injection molded body**



**Withstands temperature variations**



**Wide foot pedal operation**



**Smooth lid & inner walls for easy cleaning**



**Reinforced base for stability**



**Stackable, space saving design**



**Thickened body for durability**

### DESIGN HIGHLIGHTS



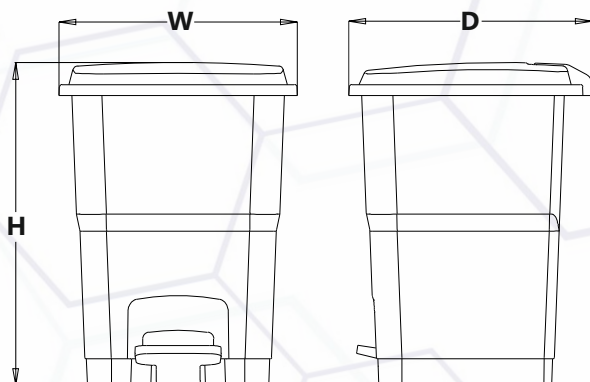
**Step Design:**  
Making a sturdy container body



**Durable:**  
Strong plastic for long-lasting use.



**Connecting Rod:**  
Strong linkage for smooth pedal function.



### AVAILABLE SIZES

Model No.	Capacity	Dimension	Material
GSSP - 12	12Ltr.	D 290 W 285 H 315	PPCP / HDPE
GSSP - 16	16Ltr.	D 290 W 285 H 386	PPCP / HDPE
GSSP - 32	32 Ltr.	D 365 W 360 H 465	PPCP / HDPE



## ECO SERIES 10 / 15 / 20 Ltr.

This waste bin is crafted from 100% PP/HDPE using a one-time injection molding process, ensuring superior durability and a long service life. It features a reinforced base for extra strength, a wide foot pedal for convenient hands-free operation, and smooth inner walls that allow easy cleaning and maintenance. Its stackable design makes storage and transport more efficient, saving space when not in use. Engineered to deliver safe, hygienic & eco-friendly biomedical waste handling, this bin is the ideal choice for hospitals, laboratories, diagnostic centers, & other healthcare facilities.



### KEY FEATURES



**Made of 100% PP / CP**



**One-time injection molded body**



**Withstands temperature variations**



**Wide foot pedal operation**



**Smooth lid & inner walls for easy cleaning**



**Reinforced base for stability**



**Stackable, space saving design**



**Thickened body for durability**

### DESIGN HIGHLIGHTS



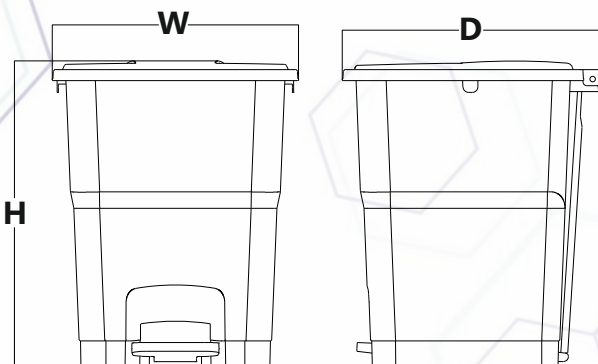
**Handle:**  
Secure grip for convenient lifting



**Step Design:**  
Making a sturdy container body



**Durable:**  
Strong plastic for long-lasting use.



### AVAILABLE SIZES

Model No.	Capacity	Dimension	Material
GSEP - 10	10 Ltr.	D 250 W 240 H 315	PPCP / HDPE
GSEP - 15	15 Ltr.	D 290 W 285 H 350	PPCP / HDPE
GSEP - 20	20 Ltr.	D 320 W 306 H 380	PPCP / HDPE



# WHEELIE BINS

**GOMSUN**

## WHEEL WASTE BIN WITH PEDAL 60 Ltr.



Lid open to 85° for easier bag removal

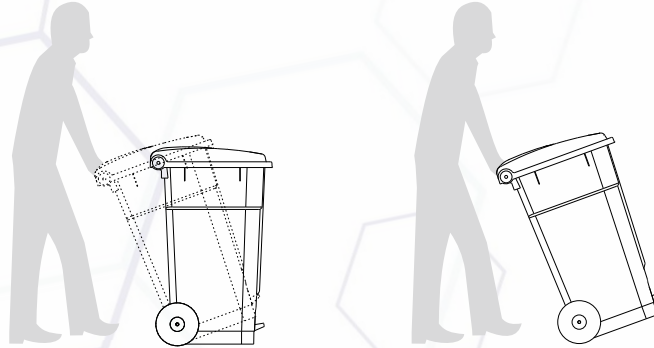
**Elegant Design**



**Heavy Wheel**



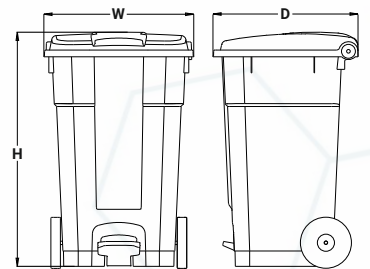
**Non Slip Bottom**



**HEAVY DUTY ROLLER**

Easy to transfer loads stability while and transferring

Model No.	Capacity	Dimension	Material
GSPW - 60	65 Ltr.	<b>D</b> 427 <b>W</b> 440 <b>H</b> 690	PPCP / HDPE



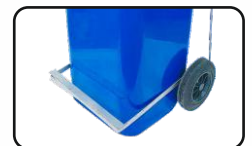
## WHEEL WASTE BIN 100 / 120 / 240 Ltr.

Made from durable recyclable plastic, this bin ensures strength and sustainability With two wheels.

Model No.	Capacity	Dimension	Material
GSW - 100	100 Ltr.	<b>D</b> 550 <b>W</b> 490 <b>H</b> 850	PPCP / HDPE
GSW - 120	120 Ltr.	<b>D</b> 550 <b>W</b> 490 <b>H</b> 980	PPCP / HDPE
GSW - 240	240 Ltr.	<b>D</b> 720 <b>W</b> 580 <b>H</b> 1050	PPCP / HDPE



**Heavy Duty Lid**



**Fabricated Padel**



## MOBILE GARBAGE BIN 660 / 1100 LTR.

Made from high-quality HDPE, these 660L & 1100L bins offer durability, thermal resistance, and comply with EN 840 standards

Model No.	Capacity	Dimension	Material
GSW - 660	660 Ltr.	<b>D</b> 780 <b>W</b> 1375 <b>H</b> 1220	HDPE
GSW - 1100	1100 Ltr.	<b>D</b> 1085 <b>W</b> 1375 <b>H</b> 1330	HDPE



**Rotatable Wheel**



**Strong Lid**



## SHARP CONTAINERS 3 / 3.5 / 5 / 6 / 10 / 12 Ltr.

This puncture-resistant sharps container is designed for the safe collection and disposal of used needles, syringes, and other hazardous medical waste. Made from durable plastic, it prevents leakage and resists damage. The secure, lockable lid protects against accidental exposure, needle-stick injuries, and contamination. Its ergonomic design allows easy handling, while the wide opening enables safe disposal without spillage.



### KEY FEATURES



Filling level indicator



Puncture resistant body



Stable design & handle



Biomedical waste compliant



Economical sharp disposal



Mounting options available



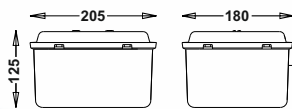
Secure closure system



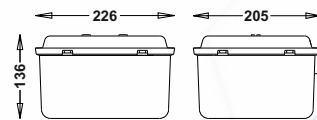
CE certified

### CAPACITY & DIMENSIONS IN MM

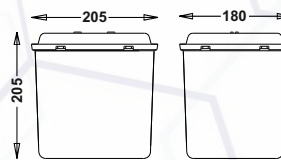
3 Ltr.



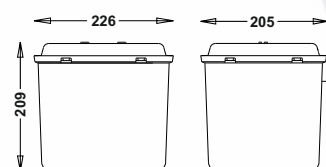
3.5 Ltr.



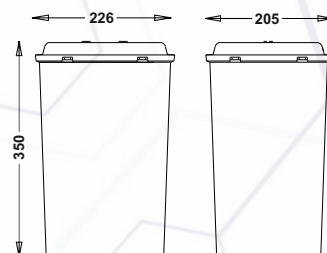
5 Ltr.



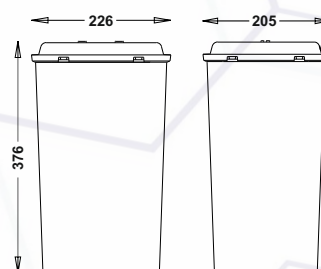
6 Ltr.



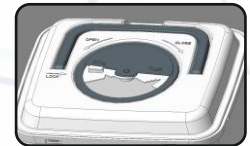
10 Ltr.



12 Ltr.



### LID OPTIONAL



**Narrow Opening Design**  
Mainly used for syringe  
And small sharp objects



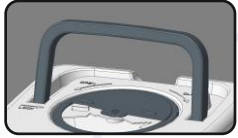
**Wide Opening Design**  
Mainly used for large  
size glass bottles



# SHARP DISPOSAL CONTAINERS



## SHARPS CONTAINER DETAILED VIEW



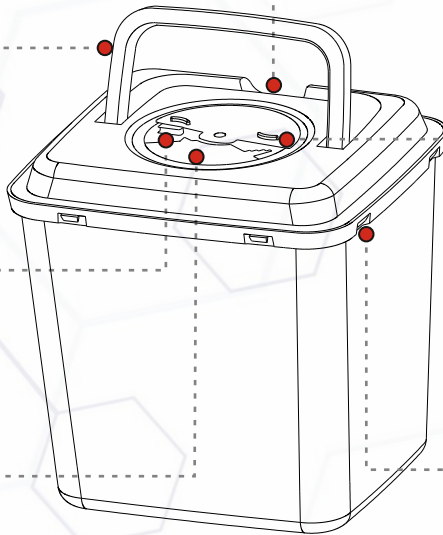
**Ergonomic Handle**



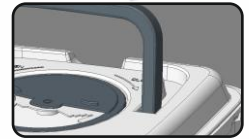
**Permanent Lock**



**Optional Opening Design**



**Wall Mounting**



**Grip for Disc Rotation**



**Permanent Fitting**

## LARGE SHARPS CONTAINER

**26 Ltr.**

Durable 26L sharps container made from 100% recyclable PP. Puncture-resistant body with secure locking lid ensures safe, hygienic, and compliant disposal of medical sharps.

### KEY FEATURES



**100% recyclable PP / CP**



**Wide Opening**

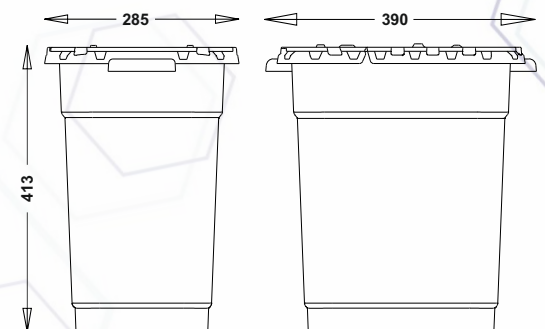
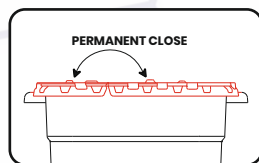
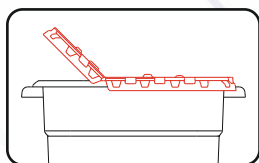
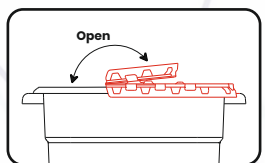


**Maximum Filling Level Indicator**



**Temporary & Permanent Closure**

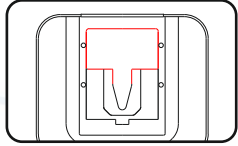
### Instruction for Closing of Sharp Container



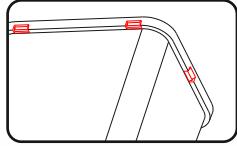
## SMALL SHARPS CONTAINER

**800 ml**

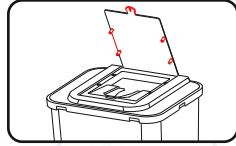
Puncture-resistant, leak-proof, with secure closure ensuring safe biomedical waste disposal.



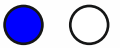
**Wide Opening**



**Permanent Fitting**



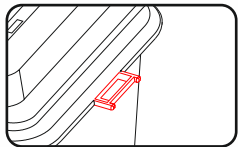
**5 Lock Systems**



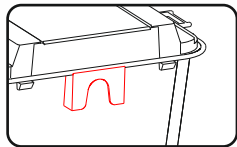
Model No.	Capacity	Dimension	Material
GSSC - 0.8	800ml	<b>D</b> 90 <b>W</b> 110 <b>H</b> 100	PP / CP

**1.2 Ltr.**

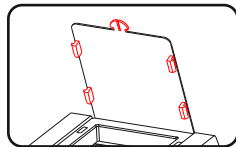
Durable 1.2 L sharps container, crafted from recyclable PP. Features puncture resistance, spill-proof design, and reliable locking lid for safe and hygienic disposal of biomedical waste.



**Hanging Slot**



**Wall Mount**



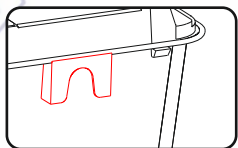
**5 Lock Systems**



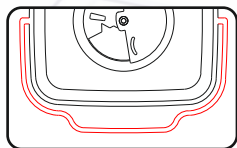
Model No.	Capacity	Dimension	Material
GSSC - 1.2	1.2 Ltr.	<b>D</b> 113 <b>W</b> 140 <b>H</b> 143	PP / CP

**1.5 Ltr.**

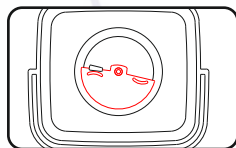
Sturdy 1.5 L sharps container, made from eco-friendly PP. Leak-resistant, puncture-proof, with enhanced closure system providing maximum safety in biomedical waste management.



**Wall Mount**



**Ergonomic Handle**



**Rotating Lock**



Model No.	Capacity	Dimension	Material
GSSC - 1.5	1.5 Ltr.	<b>D</b> 150 <b>W</b> 164 <b>H</b> 132	PP / CP

## HUB CUTTER & NEEDLE DESTROYER

A safe, eco-friendly, and user-friendly solution for disposing of sharps. Specifically designed to protect healthcare professionals, prevent needle reuse, minimize infection risks, and ensure full compliance with biomedical waste management norms, safety standards, and healthcare regulations.

### KEY FEATURES

- Filling level indicator**
- Biomedical Norms Compliant**
- Stainless Steel Frame**
- Easy container replacement**
- Prevents needle & syringe reuse**
- Protects against needle-stick injuries**
- Destroys hub & needle in one step**
- No power, noise, smell, or emissions**

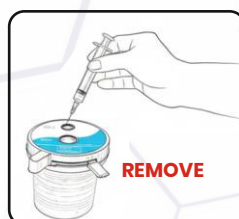
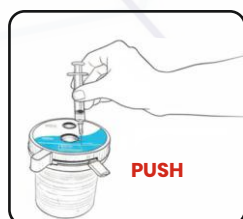
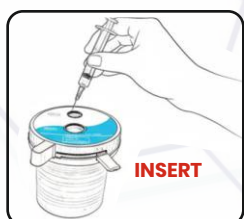


## NEEDLE & HUB CUTTER

A durable, manual needle destroyer designed to safely cut and dispose of syringe hubs and needles. Compact, reusable, and eco-friendly, it ensures safety without electricity or emissions.

### KEY FEATURES





- Durable steel / ABS body**
- Easy hub & needle cutting**
- Reusable, no electricity needed**



## CARDBOARD SAFETY BOXES

We offer a reliable range of Sharps Disposal Safety Boxes, widely trusted and acclaimed across hospitals for safe biomedical waste handling.

### KEY FEATURES

-  **Durable cardboard with handle & fill level marking**
-  **Color options with biohazard symbol**
-  **Easy assembly with printed instructions**
-  **Available in 5L, 10L, 20L or custom sizes**

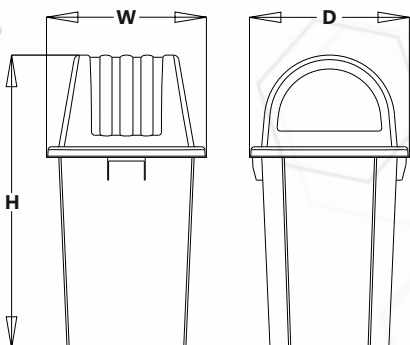


## OUT DOOR WASTE BIN

Sturdy outdoor dustbin, built with anti-abrasive and non-corrosive material, ensuring long-lasting performance and resistance to temperature variations.

### KEY FEATURES

-  **Anti-abrasive & Non-corrosive**
-  **Easy to clean & maintain**
-  **Durable & Long-Lasting**
-  **Ideal for outdoor use**



Model No.	Capacity	Dimension	Material
GSDL - 50	55 Ltr.	D 407 W 407 H 750	PPCP / HDPE
GSDL - 60	65 Ltr.	D 407 W 407 H 860	PPCP / HDPE



## SEGREGATION TROLLEY

One, Two, three and four compartment waste segregation system, Stainless steel trolley on castors, Foot operating system for opening of lid & Bins can be interchanged as and when required.



### KEY FEATURES



**Stainless Steel Trolley Frame**



**Smooth Castor Wheels for Mobility**



**Foot-Operated Lid System**



**Interchangeable Waste Bins**

## WRINGER TROLLEY 2 & 3 BUCKETS

Two & Three Bin Options Available, Long Handle for Easy Handling, High Quality Down Press Wringer for Easy Squeezing, The Bucket Capacity is 20 Ltr. Each & Lockable Wheels.



**UNIVERSAL CASTERS**



**LARGE CAPACITY**



**HEAVY DUTY WRINGER**



### KEY FEATURES



**1/2/3 Bin Options**



**20L Capacity Each**



**High-Quality Down Press Wringer**



**Long Handle Design**



**Lockable Wheels**



**360° Durable Castors**



**Strong & Long-Lasting Build**



**Easy to Clean & Maintain**

## State-of-the-Art Manufacturing Facilities

At Gomsun Plast Private Limited, we design innovative, durable, eco-friendly wastebin solutions for Hospitals, Industries, and Public Spaces. Since 2019, we have promoted sustainable waste management with high-quality, customized products to meet diverse client needs.

## Our Strengths



### PRECISION MOULDING MACHINES

Highly accurate production for consistent quality



### WELL-EQUIPPED TOOL ROOM

Supporting design & maintenance excellence



### INNOVATION & R&D

Continuous product development to meet modern needs



### CUSTOM DESIGNS

Tailored solutions for unique customer requirements



## Why Choose Us

01

### Quality & Manufacturing Excellence

In-house production with international standards ensures durability, compliance, and cost control.

02

### Reliable Supply & On-Time Delivery

Strong supply chain guarantees timely availability for uninterrupted hospital operations.

03

### Complete Product & Service Support

End-to-end solutions for segregation, collection, disposal, installation, training, and support.

04

### Cost-Effective, Long-Term Value

Durable solutions that reduce expenses & improve waste management efficiency.

## Certifications & Registrations



सूक्ष्म, लघु एवं मध्यम उद्यम  
MICRO, SMALL & MEDIUM ENTERPRISES

MSME Registered



ISO Certified



CE Certified



Efficient • Transparent • Inclusive

GeM – Government eMarketplace

## GOMSUN PLAST PRIVATE LIMITED

Corporate Office : E-260/261, K.G. Khosla, Badarpur Border, New Delhi - 110044

Manufacturing Unit : Plot No. 195, Kharkhana Bagh, 16/2 Mathura Road, Faridabad - 121002

✉ gomsunplast@gmail.com



☎ 9871471467 / 9999795153 / 93102 14923

WWW.GOMSUN.COM